



## HiLink, the Outperformer

- High performance design with Nichia SMD
- Luminous flux up to 9,750lm (75W)
- Electricity: 220-240Vac, 50/60Hz, PF>0.95
- LED Lifespan > 50,000 hours (Ta=30°C@L70)
- Energy saving up to 90%
- CCT: 3000K, 4000K, 5000K
- CRI > Ra70(CRI > Ra80 optional)
- Beam angle: 30°x100°, 60°x120°, 80°x100°, 80°x100°(one-sided polarized 25°), 80°x100°(double-sided polarized 25°)
- Superior uniformity
- Superior temperature stability
- Temperature tested at toughest conditions
- PHILIPS driver
- Operating temp: -30~+50°C
- Body: Aluminum alloy
- IP20 protection rating
- 5 years warranty

## HiLink Product Range

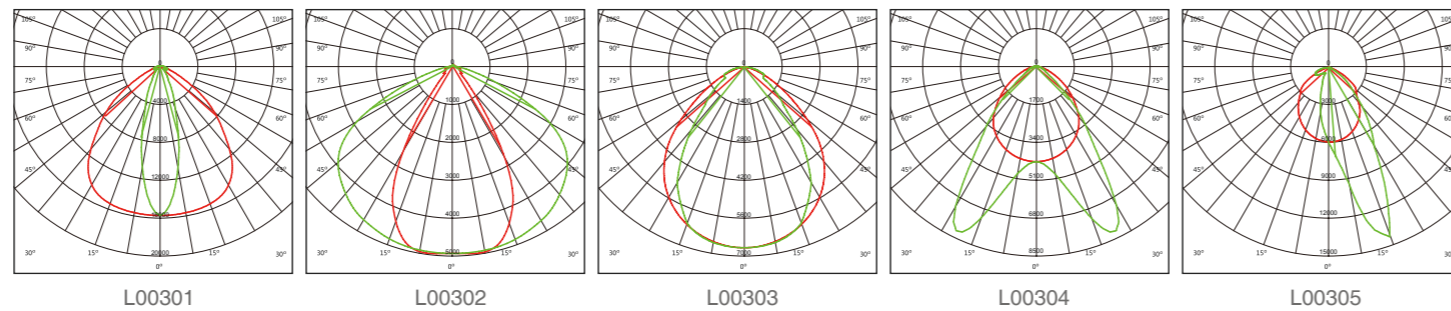
Part Number	LHB04-040	LHB04-065	LHB04-075
Lumen Output	5,200lm	8,450lm	9,750lm
Wattage	40W	65W	75W
Luminous Efficacy	130lm/W	130lm/W	130lm/W
CCT	3000K, 4000K, 5000K		
CRI	>Ra70, >Ra80		
Beam Angle	30°x100°, 60°x120°, 80°x100°, 80°x100°(one-sided polarized 25°), 80°x100°(double-sided polarized 25°)		
Input Voltage	220-240Vac 50-60Hz PF ≥ 0.95		
IP Rating	IP20		
LED Driver	PHILIPS		
HID Equivalent	120W	160W	180W
Certification Pending	CE, CB, RoHS, SAA		

## Control Options

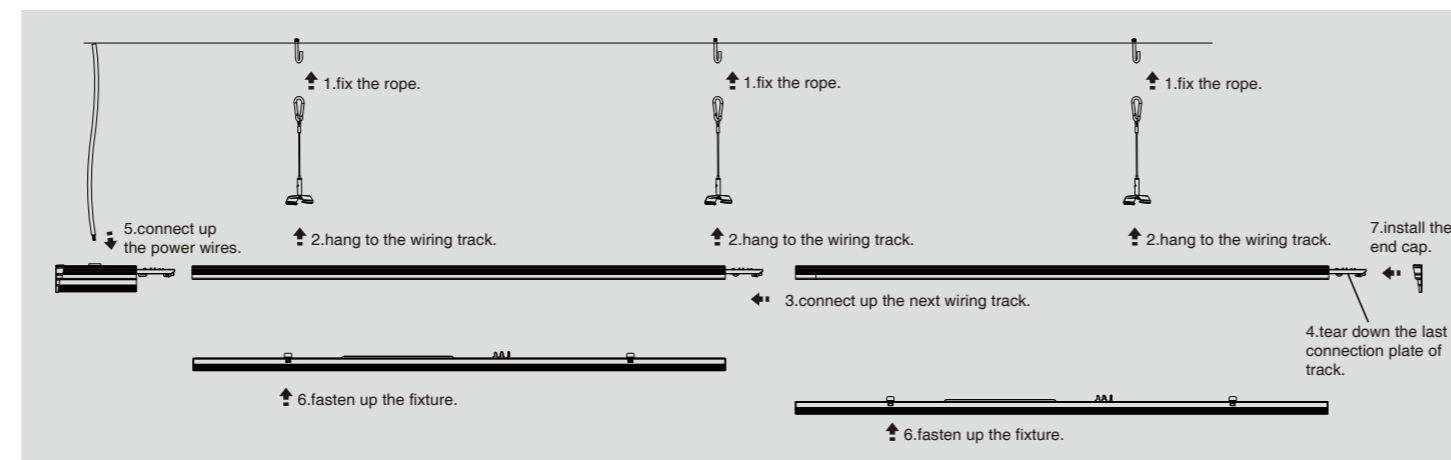
Part number indicates which type of control it is.

Occupancy Control	DALI Control	1-10V Dimming Control
-------------------	--------------	-----------------------

## Photometric Diagrams



## Mounting Options



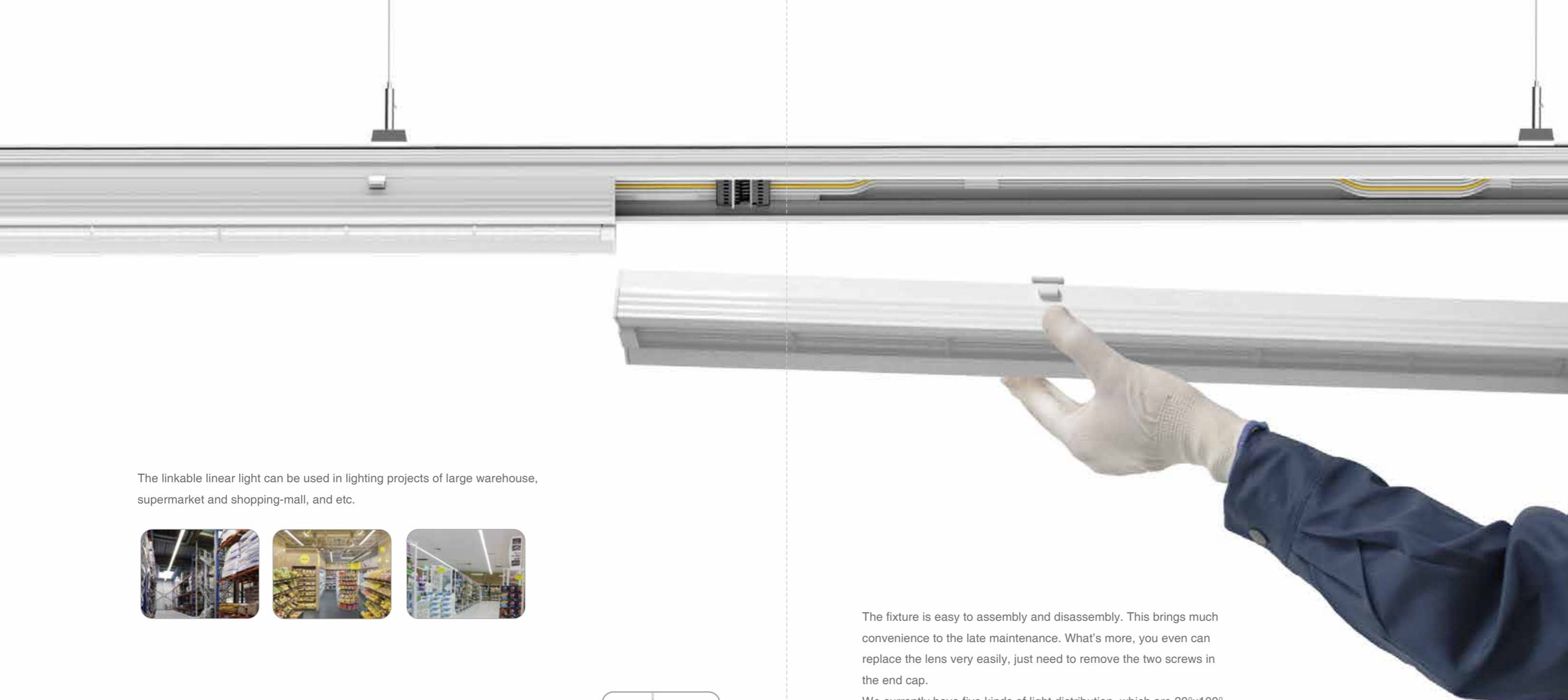
# HiLink

## Linear Trunking System



ISO9001: 2008

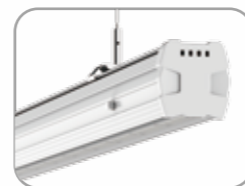
All info here ONLY for reference, please confirm with our sales before order.



The linkable linear light can be used in lighting projects of large warehouse, supermarket and shopping-mall, and etc.



Each HiLink not only can be used as a complete fixture, but also as a linkable module.



System efficacy reaches up to 130lm/W, a 65W module can replace 160W traditional HID quite well.



The fixture is composed by two parts: wiring track and lighting board.

In the track there are two optional wiring grooves reserved, which can be used for dimming function expanding.

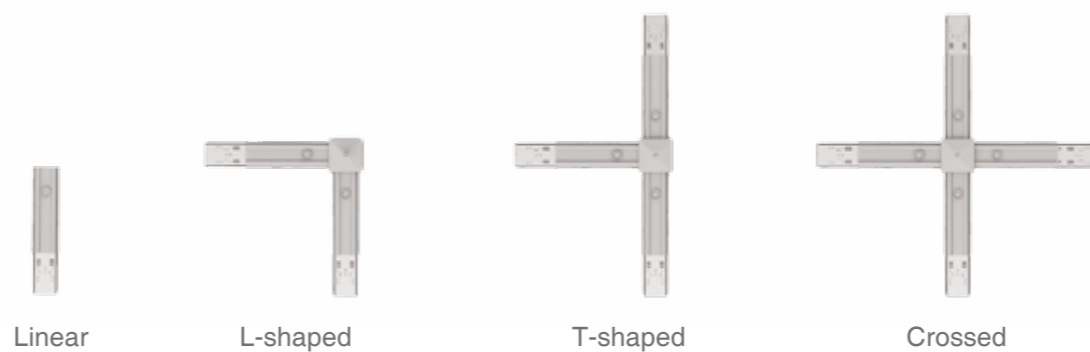
The max qty of spliced modules can be 70pcs to 220V single-phase power, whilst 210pcs to three-phase 380V.



The fixture is easy to assembly and disassembly. This brings much convenience to the late maintenance. What's more, you even can replace the lens very easily, just need to remove the two screws in the end cap.

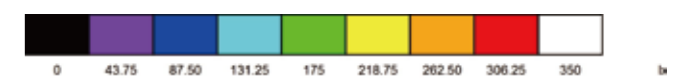
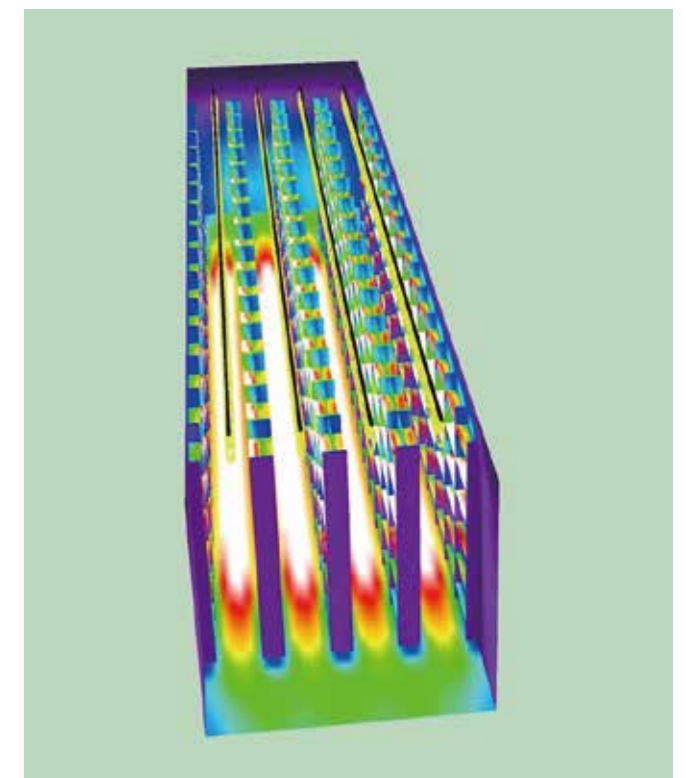
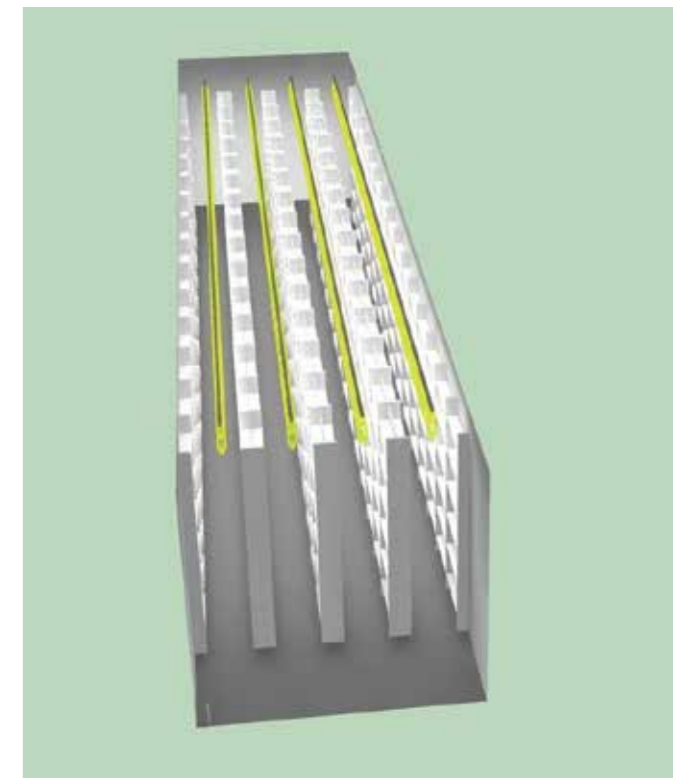
We currently have five kinds of light distribution, which are 30°x100°, 60°x120°, 80°x100°, 80°x100° with a center-polarized 25°, and 80°x100° with double-sided polarized 25° in a groove-shape.

Available for varied splicing methods:  
Linear, L-shaped, T-shaped, and Crossed.



# HiLink Lighting

Dialux Simulation



LHB04 L00301 5000K Ra70