

HiSmooth

- High performance design with Nichia Chip
- Luminous flux up to 18,000lm (150W)
- Luminous Efficacy up to 120lm/W
- Electricity: 100-240Vac/100-277Vac, 50/60Hz, PF ≥ 0.93
- LED Lifespan > 50,000 hours (Ta=30°C@L70)
- Energy saving up to 90%
- CCT: 4000K (3000K & 5000K optional)
- CRI > Ra70 (CRI>Ra80 optional)
- Beam angle: R17601 and R17602 optional
- Superior uniformity
- Superior temperature stability
- Temperature test at toughest conditions
- Meanwell, Inventronics driver
- No external reflectors required
- PC cover : Safe for industrial applications
- Operating temp: -30~+50°C
- Body: Aluminum alloy
- Stainless steel screws
- IP66 protection rating
- 5 years warranty



HiSmooth Product Range

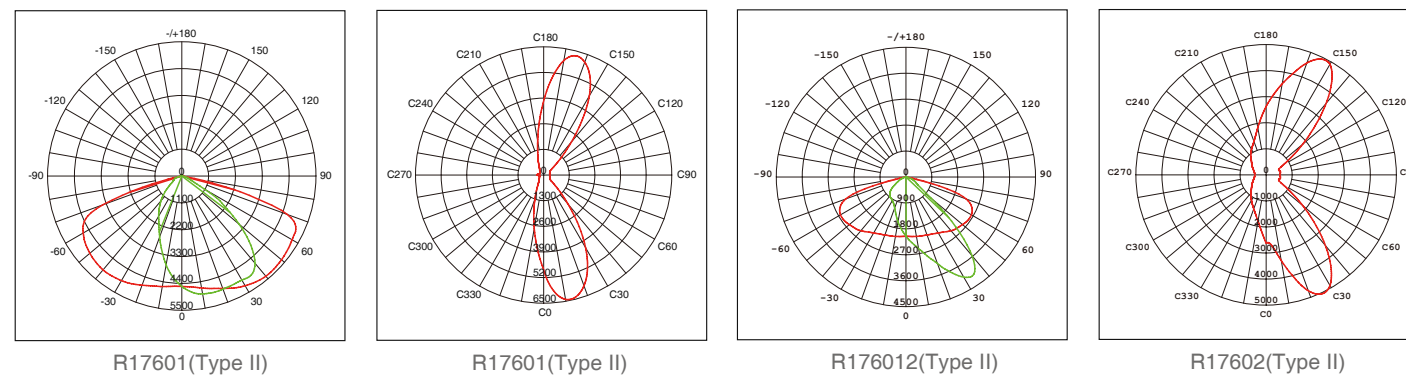
Part Number	ST03-030	ST03-050	ST03-070	ST03-090	ST03-120	ST03-150
Lumen Output	3,600lm	6,000lm	8,400lm	10,800lm	14,400lm	18,000lm
Wattage	30W	50W	70W	90W	120W	150W
Luminous Efficacy	120lm/W	120lm/W	120lm/W	120lm/W	120lm/W	120lm/W
CCT	4000K, 3000K, 5000K					
CRI	>Ra70, >Ra80					
Beam Angle	R17601, R17602					
Input Voltage	100-240Vac/100-277Vac 50-60hz PF ≥ 0.93					
IP Rating	IP66					
LED Driver	Meanwell, Inventronics					
HID Equivalent	100W	120W	120W-180W	250W	300W-400W	400W-600W
Certification Pending	CE, CB, SAA, DLC, RoHS					

Control Options

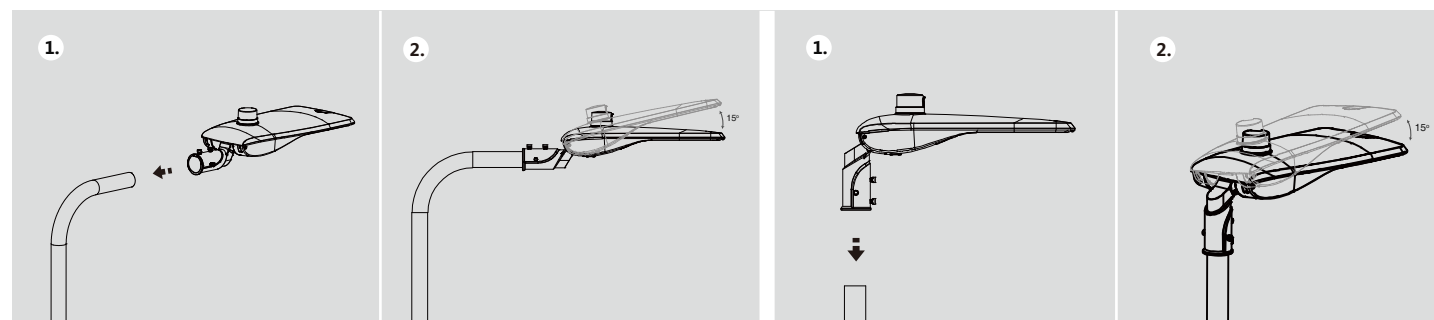
Part number indicates which type of control it is.

Daylight Sensor Control	1-10V Dimming Control	Timing Control	Solar Control	DALI Control
-------------------------	-----------------------	----------------	---------------	--------------

Photometric Diagrams



Mounting Options



V2.2 Address: Building A, Jian'an Road No.3, Fuyong, Bao'an District, Shenzhen, China.
Tel: +86-755-33581001 / 33581006 Fax: +86-755-33580559 E-mail: info@agcled.com Website: www.agcled.com

HiSmooth

Professional Roadway Lighting



ISO9001: 2008

All info here ONLY for reference, please confirm with our sales before order.

HiSmooth, A Professional Outdoor Lighting Product

Luminous Efficacy 120lm/W

Current light distribution type of HiSmooth is Type II Medium, which is suitable for wide range of road applications (such as fast-speed, medium-speed, and low-speed roads), and complies with many lighting level and standards.

Lighting classes	ME1	ME2	ME3	ME4	ME5	ME6	S1	S2	S3	S4	S5	S6
120W												
150W												

- * For main roads, collecting roads, roundabouts
- * Mounting heights: 8 to 12m
- * Street coating: R1, R2, R3, R4
- * Mast spacing: up to 50m
- * Color temperature: 4000K, 3000K and 5000K
- * Variants from 10900lumens to a power variant 21000lumens
- * Covering the whole roadway without any Dark Spots
- * Compliance with CIE, EN and IESNA Lighting Standards

Smooth Design

- Smooth body would not accumulate dust, sand, or other solid material, and would minimize environment impact for fixture performance.

Surface Treatment

- Anti-static and anti-UV outdoor using powder coating



Easy Maintenance

- Buckle for fixing heat sink could be opened without tools.
- There is a supporting bracket to hold upper and lower parts of fixture body, when electricians open for maintaining.



Easy Replacement for LED Driver

- The LED driver is fixed by buckles, can be installed or removed easily.

Warm or Cold Multiple CCT Options

- 4000K, 3000K and 5000K could be offered for HiSmooth. And 3000K and 4000K are highly in line with Euro style constructions, and complies with EU photo-biological standard.



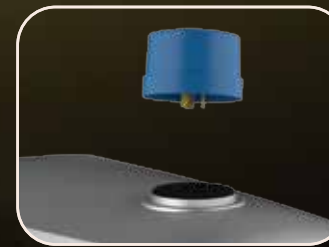
Power-off Protection

- Power would automatically be off once the fixture body opened.



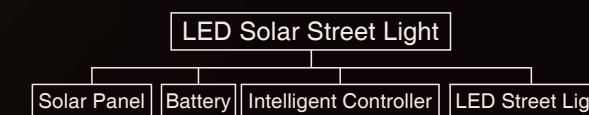
Surge Protection

- Inventronics LED Driver integrated with SPD (surge protection device)

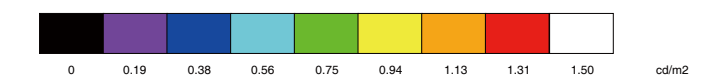
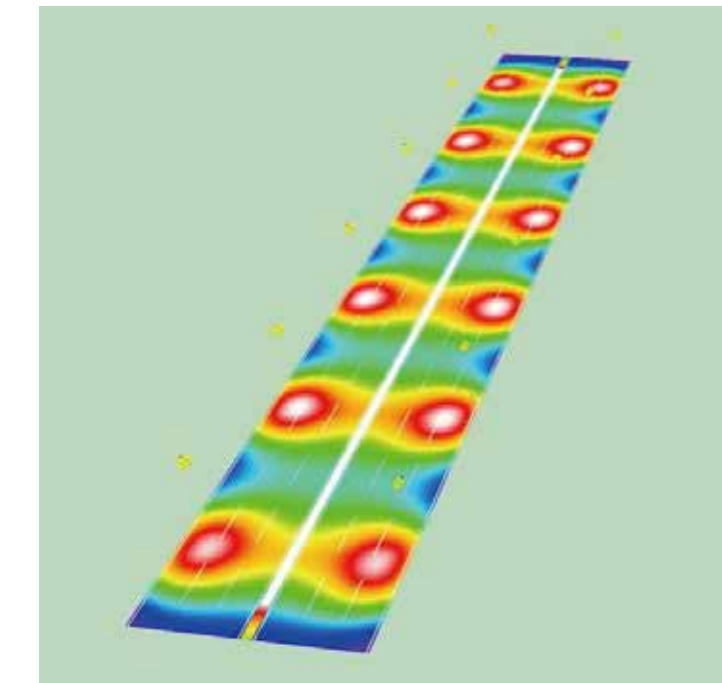


Intelligent Control

- Daylight Sensor
- Timming Control
- Solar Control



HiSmooth Dialux Simulation



ST03 R17601(Type II) 4000K Ra70

Calculation Field List

Roadway 1
 Valuation Field Roadway 2
 Grid: 12 x 9 Points
 Length: 34.000 m, Width: 10.500 m
 Accompanying Street Elements: Roadway 2.
 tarmac: R3, q0: 0.070
 Selected Lighting Class: ME2 (All lighting performance requirements are met.)

	L _{av} [cd/m²]	U0	UI	TI [%]	SR
Calculated values:	1.51	0.72	0.86	8	0.75
Required values according to class:	≥ 1.50	≥ 0.40	≥ 0.70	≤ 10	≥ 0.50
Fulfilled/Not fulfilled:	✓	✓	✓	✓	✓